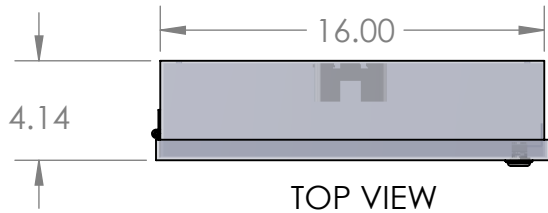


2

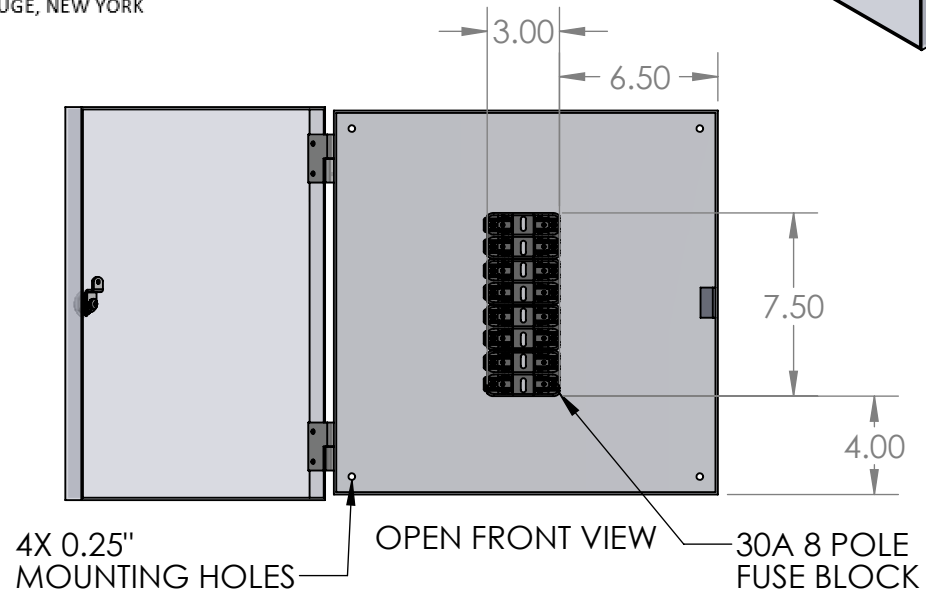
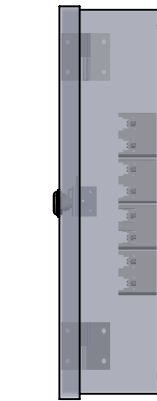
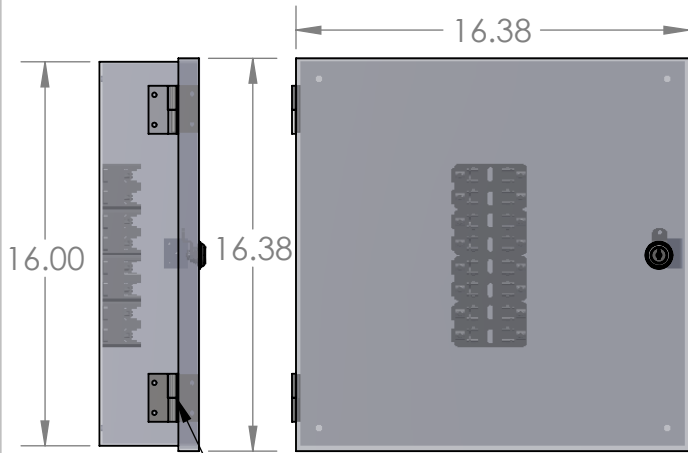
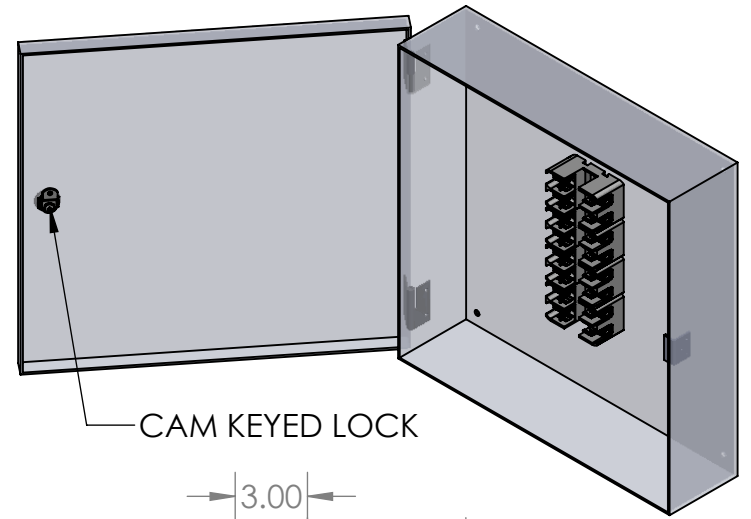
1

NOTES:

1. NEMA 1 INDOOR STITCH WELDED CONSTRUCTION
2. HINGED FRONT COVER WITH WRAP AROUND LIP
3. 3 POLE UL LISTED FUSE HOLDER
4. RED POWDER COAT FINISH
5. CAM 45 KEYED DOOR LOCK
6. FACTORY INSTALLED NEUTRAL BARS AVAILABLE



E167302 LISTED
CABINETS AND CUT OUT BOXES
 LOT NO. XXXXXX
NAV-TECH INC.
 HAUPPAUGE, NEW YORK



A
HINGED DOOR

	NAME	DATE
DRAWN BY	J. Pincus	7/24/2023
APPROVED BY		

PROPRIETARY AND CONFIDENTIAL
 THE INFORMATION CONTAINED IN THIS DRAWING IS THE SOLE PROPERTY OF Nav-Tech Inc. ANY REPRODUCTION IN PART OR AS A WHOLE WITHOUT THE WRITTEN PERMISSION OF Nav-Tech Inc. IS PROHIBITED.



155 MARCUS BLVD
 HAUPPAUGE, NEW YORK 11788
 PH: (718) 257-2111 FAX: (718) 257-2626

UNLESS OTHERWISE SPECIFIED:
 ALL DIMENSIONS ARE NOMINAL UNLESS EXPLICITLY SPECIFIED OTHERWISE

MATL: 16 GA GALV
 FINISH: POWDER COATED RED
 WEIGHT:

- UNLESS OTHERWISE SPECIFIED
1. REMOVE ALL BURRS AND BREAK ALL SHARP EDGES .015 X 45° OR .015R
 2. DIMENSIONAL LIMITS APPLY AFTER PLATING
 3. MACHINED SURFACES EXCEPT AS NOTED

DRAWING TITLE:
 16" X 16" X 4" FIRE ALARM CUT OUT BOX

PART #:
 FAB 16164

DESCRIPTION:
 NEMA 1 16" X 16" X 4" FIRE ALARM CUT OUT BOX WITH 30 AMP 8 POLE FUSE BLOCK AND LOCKING HINGE COVER

DO NOT SCALE DRAWING	SCALE: 1:8	SIZE A	SHEET 1 OF 1	REV. 0
-----------------------------	------------	--------	--------------	--------

2

1